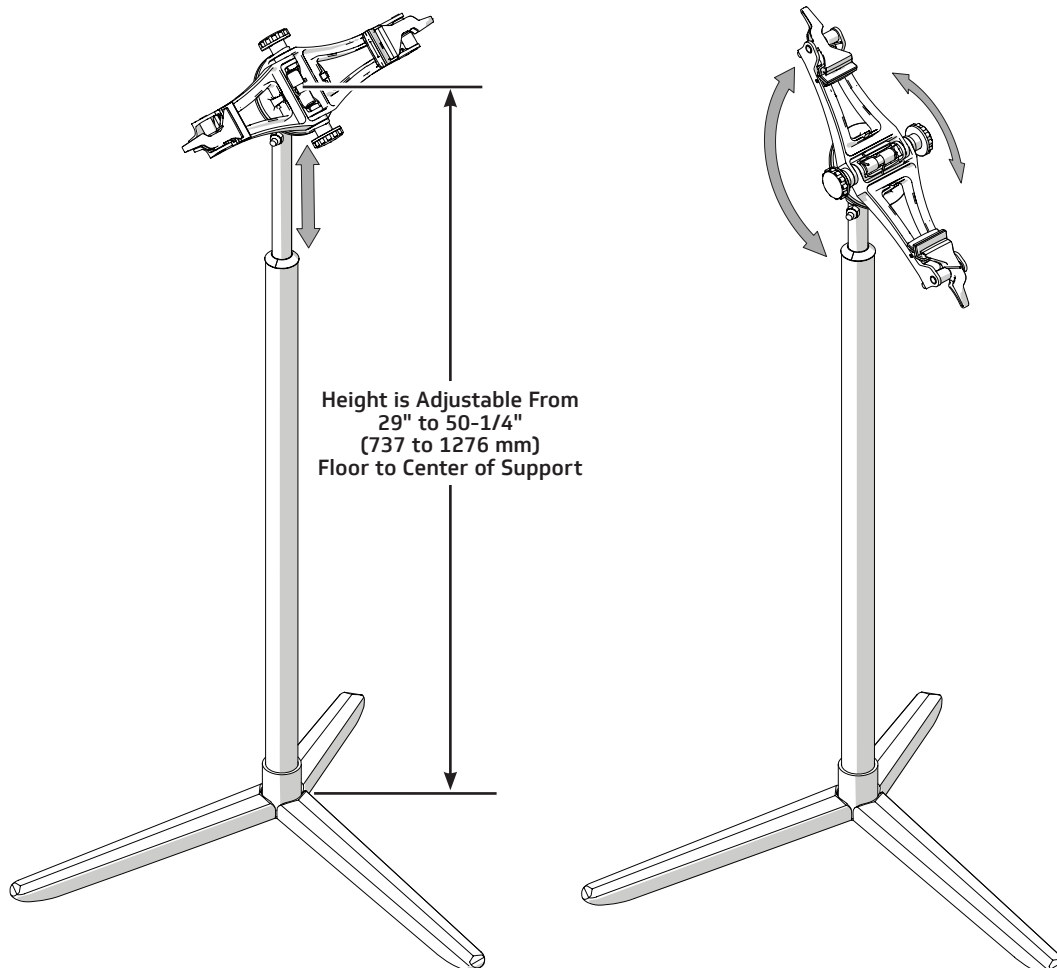


Universal Tablet Stand

- 040A149 Universal Tablet Stand 5.1 lb (2 kg)
- Fits smartphones and tablets with or without a case from 5" to 13.3" (127 to 338 mm)
- Adjustable arms feature side screw adjustment for secure holding
- Spring-loaded finger clamps, with proprietary rubber coating enable maximum grip on the widest range of surface materials and textures
- Accommodates flat and rounded device and cover surfaces
- Provides an unobstructed view of your device's screen, as well as an uncluttered view from behind
- 360° rotation with locking positions in portrait and landscape orientations
- Locks into flat position when not in use
- Bolt-through attachment to the stand upright keeps the universal tablet mount secure even when adjusting height
- 12-gauge steel base in black powder-coat paint finish for maximum stability and durability
- 1-1/2" (38 mm) diameter 18-gauge outer tube for heavy-duty stability
- 18-gauge inner post prevents denting and keeps slider mechanism functioning freely
- Brass spring friction height adjustment mechanism adjusts height from 29" to 50-1/4" (737 to 1276 mm) floor to center of support
- UL GREENGUARD certified - product certified for low chemical emissions: ul.com/gg - UL 2818
- Five-year warranty on the stand upright
One-year warranty on the universal tablet mount



Accessories (continued)

Hands-Free Page Turner

A rugged hands-free device for turning the pages on your digital sheet music; simple setup and operation make this a great solution for musicians who need a hand

- 040A142, 0.55 lb (0.24 kg)
 - Tap the foot switches to turn the pages on your digital sheet music forward or backward
 - No messy cables, wireless connection to tablets or computers up to 60' (18 m) away using secure Bluetooth technology
 - Internal rechargeable battery, up to 100 hours between charges
 - Nearly indestructible, made of same material as bullet-proof glass



Hands-Free Page Turner

Universal Tablet Mount, Single

The perfect holder for most models of tablets, clipping your tablet in place is easy and secure; no more resting your tablet on a stand, amp, floor, etc.

- 040A154, 15 oz (0.42 kg)
 - Attaches to a standard 5/8" (16 mm) threaded stand



Universal Tablet Mount
(Shown on Traditional Music Stand)



© 2024 Wenger Corporation
USA/2024-04

Minnesota Location Wenger Phone 800.4WENGER (493-6437) Wenger Worldwide +1.507.455.4100 | Parts & Service 800.887.7145 | wengercorp.com

GearBoss Phone 800.493.6437 | gearboss.com
555 Park Drive, PO Box 448 | Owatonna | MN 55060

New York Location J.R. Clancy Phone 800.836.1885 JR Clancy Worldwide +1.315.451.3440 | jrclancy.com | 7041 Interstate Island Road | Syracuse | NY 13209